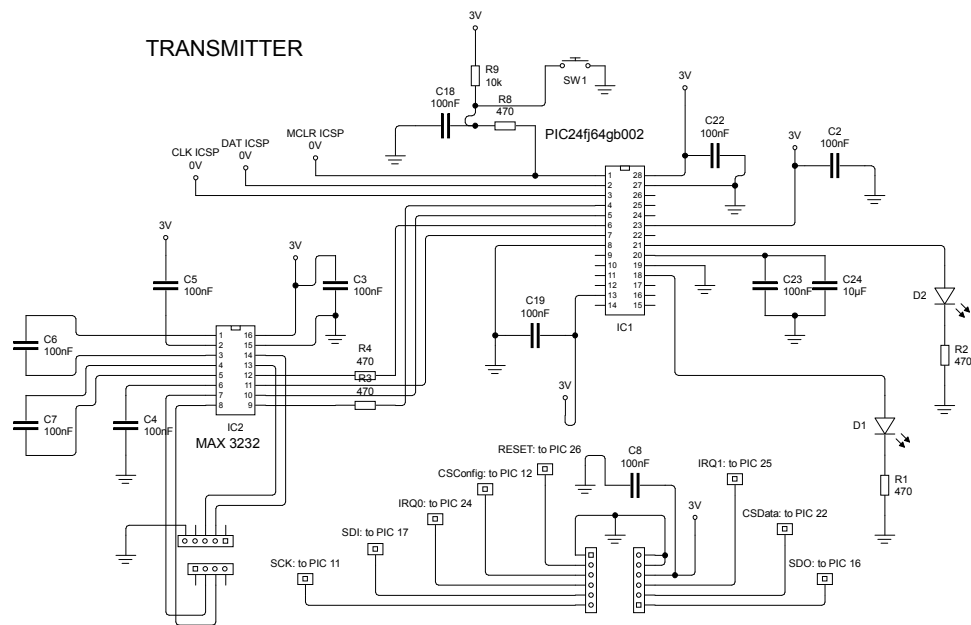


TRANSMITTER



MRF89XAMBA Rev.1 module

Serial DB9 Socket, to PC terminal window; using UART1 module. Via PUTTY to console